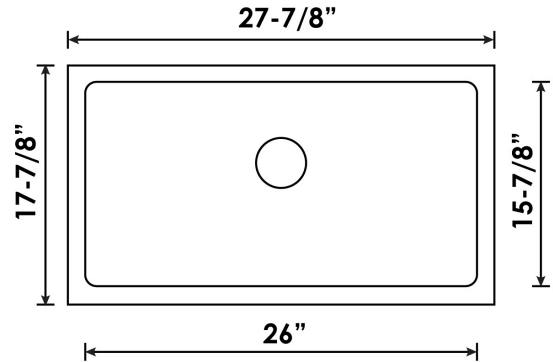


B1812 18 Gauge 20mm Radius Stainless Sink



B1612/1812

Colour Finish
Stainless Steel

Model No.
B1812

Description

- Outside dimensions: 27-7/8" x 17-7/8" x 9"
- Inside dimensions: 26" x 15-7/8" x 8-5/8"
- Minimum Cabinet Size: 30"
- Stainless Steel Single Bowl Sink
- 18 Gauge Type 304 Stainless Steel
- Stone Guard undercoating over rubber pad
- 3 1/2" drain opening
- Supplied with installation clip, template and strainer
- cUPC Certified

Available accessories

- BG1812 - Stainless Steel Grid
- Deluxe Strainer - Stainless Steel
- Drying Rack

MAIN LOCATION

BRISTOL SINKS
56 Firestone Blvd
London, Ontario
N5W 6E6

WESTERN LOCATION

BRISTOL SINKS
964 72nd Avenue NE
Calgary, Alberta
T2E 8V9

CONTACT

Tel: 1(800) 930-0214
Fax: 1(866) 310-7580
Email: sales@bristolsinks.com