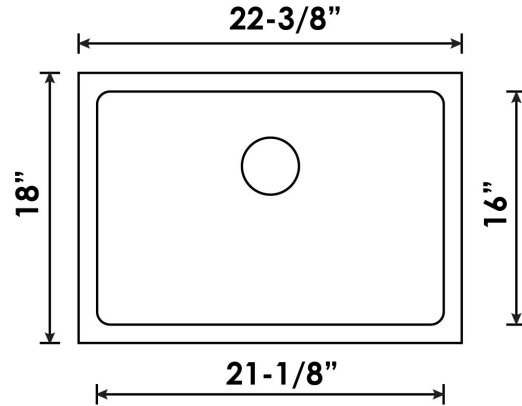


**B1813ADA Under-mount Stainless Steel Kitchen Sink 20mm Corners - ADA compliant**



**Colour Finish**  
Stainless Steel

**Model No.**  
B1813ADA

**Description**

- Outside dimensions: 22-3/8" x 18" x 5-1/2"
- Inside dimensions: 21-1/8" x 16" x 5-1/4"
- Minimum Cabinet Size: 24"
- Stainless Steel Single Bowl Sink
- 18 Gauge Type 304 Stainless Steel
- Stone Guard undercoating over rubber pad
- 3 1/2" drain opening
- Supplied with installation clip, template and strainer
- ADA Compliant
- cUPC Certified

**Available accessories**

- Deluxe Strainer - Stainless Steel
- Drying Rack

**MAIN LOCATION**

**BRISTOL SINKS**  
56 Firestone Blvd  
London, Ontario  
N5W 6E6

**WESTERN LOCATION**

**BRISTOL SINKS**  
964 72nd Avenue NE  
Calgary, Alberta  
T2E 8V9

**CONTACT**

Tel: 1(800) 930-0214  
Fax: 1(866) 310-7580  
Email: sales@bristolsinks.com