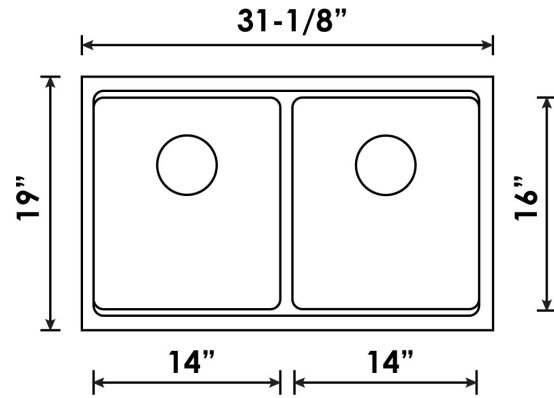


B1861 Workstation Double Bowl Low Divide Undermount Sink



Colour Finish	Model No.	Description
Stainless Steel	B1861	<ul style="list-style-type: none">• Workstation Double Bowl Low Divide Undermount Sink• 18 Gauge Type 304 Stainless Steel Low Divide Undermount Sink• Outside dimensions: 31-1/8" x 19" x 9-1/4" x 9-1/4"• Inside dimensions: 14" x 16" x 9" - 14" x 16" x 9"• Center Divider Height: 5"• Minimum Cabinet Size: 33"• Brushed Satin Finish• Stone Guard undercoating over a rubber pad• 3 1/2" drain opening• Supplied with installation clip, and template• Components Included Stainless Steel Grid, Colander Basket, Roll-up Drying Rack, Cutting Board and Sink Strainer• cUPC certified• Limited Lifetime Warranty

Available accessories

- Stainless Steel Grid
- Colander Basket
- Roll-up Drying Rack
- Cutting Board
- Sink Strainer

MAIN LOCATION

BRISTOL SINKS
56 Firestone Blvd
London, Ontario
N5W 6E6

WESTERN LOCATION

BRISTOL SINKS
964 72nd Avenue
NE Calgary, Alberta
T2E 8V9

CONTACT

Tel: 1(800) 930-0214
Fax: 1(866) 310-7580
Email: sales@bristolsinks.com