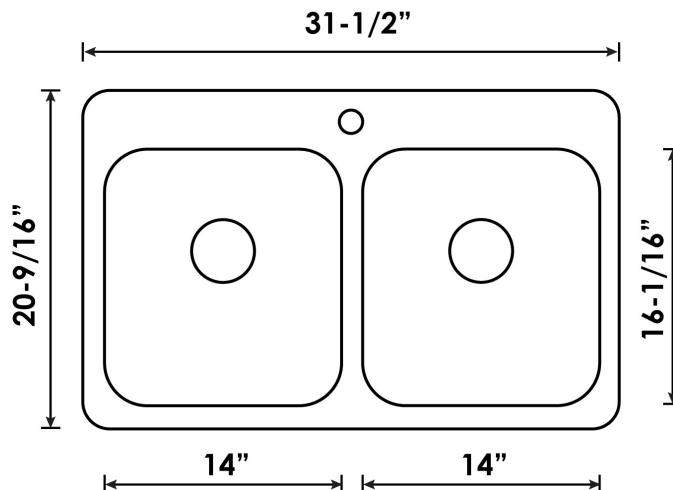


**B211 20 Gauge Topmount Stainless Double Sink**



**B211**

Colour Finish	Model No.	Description
Stainless Steel	B211	<ul style="list-style-type: none"> <li>• 50/50 Double Bowl Drop In Kitchen Sink.</li> <li>• Outside Dimensions: 31-1/2" x 20-9/16" x 8" x 8"</li> <li>• Inside Dimensions: 14" x 16-1/16" x 8" - 14" x 16-1/16" x 8"</li> <li>• Minimum Cabinet Size: 33"</li> <li>• 20 Gauge Type 304 Stainless Steel Drop In Sink</li> <li>• Brushed Satin Finish</li> <li>• Stone Guard undercoating over rubber pad</li> <li>• 3 1/2" drain opening</li> <li>• Supplied with installation clip, template and strainer</li> <li>• Stainless Steel Grid Available</li> <li>• cUPC Certified</li> <li>• Limited Lifetime Warranty</li> <li>• Uses the BG211 grid</li> </ul>

**Available accessories**

- BG211- Stainless Steel Grid
- Deluxe Strainer - Stainless Steel
- Drying Rack

**MAIN LOCATION**

**BRISTOL SINKS**  
 56 Firestone Blvd  
 London, Ontario  
 N5W 6E6

**WESTERN LOCATION**

**BRISTOL SINKS**  
 964 72nd Avenue NE  
 Calgary, Alberta  
 T2E 8V9

**CONTACT**

Tel: 1 (800) 930-0214  
 Fax: 1 (866) 310-7580  
 Email: sales@bristolsinks.com