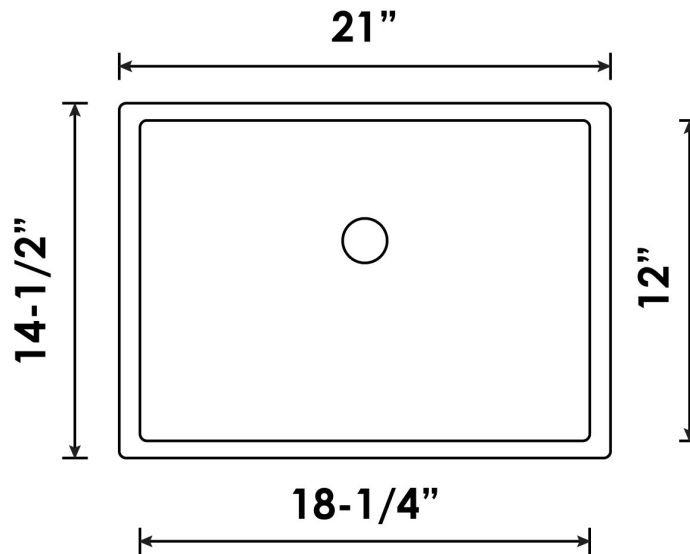


B606 ADA Compliant Rectangular Undermount Bathroom Sink



Colour Finish
Porcelain

Model No.
B606ADA

Description

- White Undermount Porcelain Sink
- Outside Dimensions: 21" x 14-1/2" x 6"
- Inside Dimensions: 18-1/4" x 12" x 4"
- Minimum Cabinet Size: 23"
- True Vitreous China
- Cardboard Template included
- Mounting Clips Included
- Limited lifetime warranty
- cUPC Certified
- ADA compliant

Available accessories

- Pop Up Drain – With Overflow

MAIN LOCATION

BRISTOL SINKS
56 Firestone Blvd
London, Ontario
N5W 6E6

WESTERN LOCATION

BRISTOL SINKS
964 72nd Avenue NE
Calgary, Alberta
T2E 8V9

CONTACT

Tel: 1 (800) 930-0214
Fax: 1 (866) 310-7580
Email: sales@bristolsinks.com