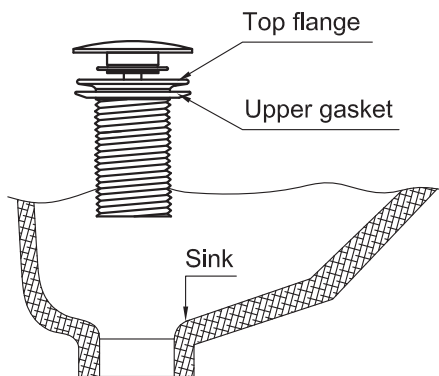
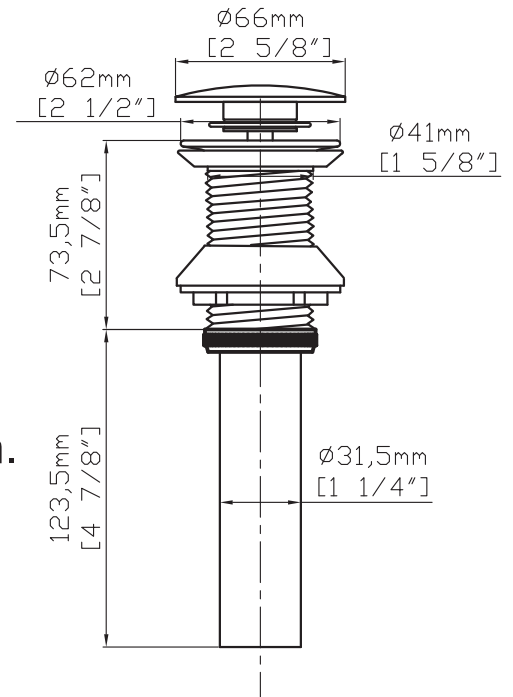


Pop up

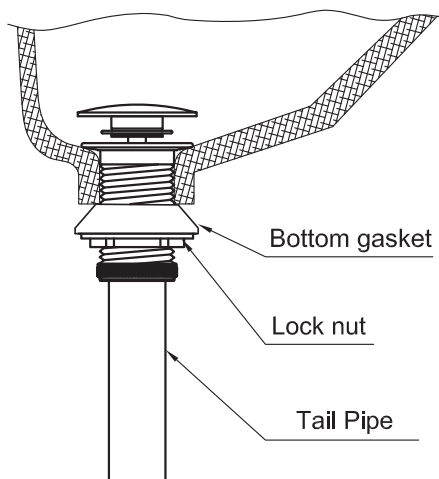
Features

Material : Brass+stainless steel
SIZE IN MM

- Clean the contact surface before installation.
- Avoid use of powdered cleaners.
- Hand tighten only.



1. Apply plumbers tape to upper portion of threading of drain body.
2. Insert the pop-up drain body down through the top of the sink.



1. Install the bottom gasket on the drain body.
2. Thread the lock nut onto the drain body.
3. Centre the drain and hand tighten the lock nut.
4. Reattach tail pipe.