

DESCRIPTION

- Stainless Steel construction


FLOW

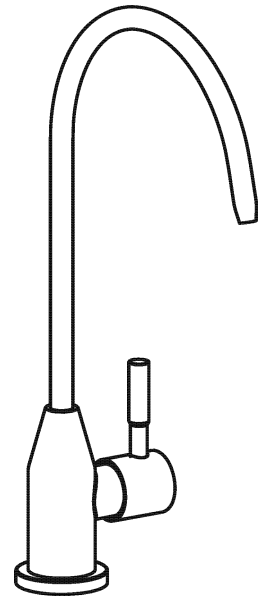
- Water usage is limited to these maximum flow rates as indicated by the corresponding product markings

CARTRIDGE

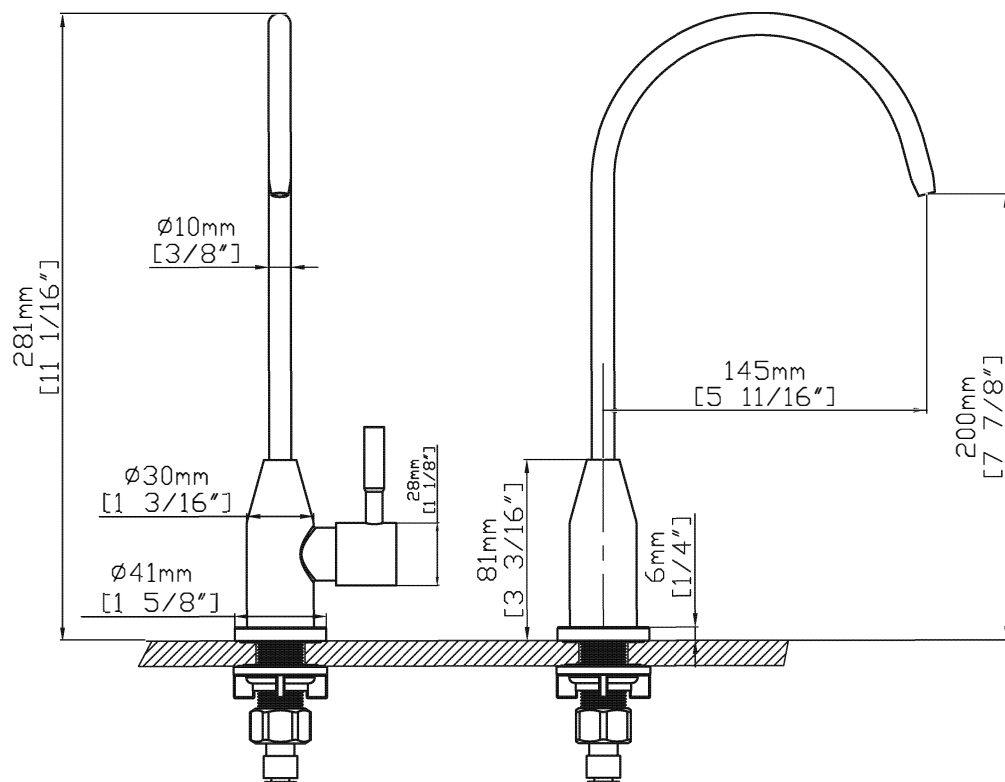
- Ceramic disk cartridge

STANDARDS

- Certified to CUPC
- Certified to AB1953
- Certified to NSF/ANSI 61
- **ADA**  for lever handle



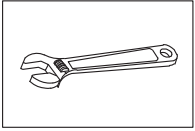
Kitchen Faucet



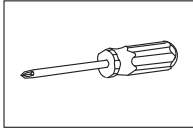
Note: Dimensions are for reference only. Detailed information is in accordance with the final product.

Kitchen Faucet Installation

INSTALLATION MANUAL Tools You Will Need :



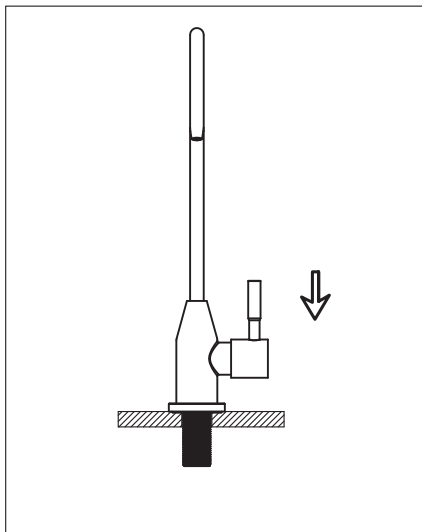
Adjustable wrench



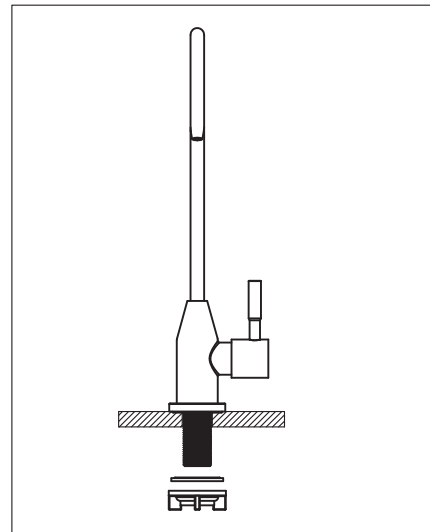
Philips Screwdriver

Notes before installation :

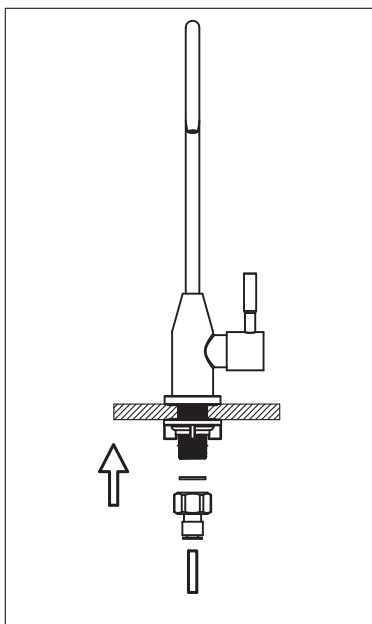
1. Please check that all components are present.
2. Before installation ensure that all feed lines are clear of debris and on/off valve is present.
3. Ensure water pressure is between 20-125 PSI (includes combination of hot and cold feed lines).
4. Pictures in the manual are general in content and may not represent exactly your purchased faucet. If you are having difficulties please contact a professional plumber.
5. If you will be away from home for an extended period you should shut off the main water supply.



1. Install faucet through center hole .



2. Assembly rubber washer, and lock nut onto faucet, then tighten the lock nut.



3. Assembly washer and lock nut onto faucet, then connect to the tube of water purifier.