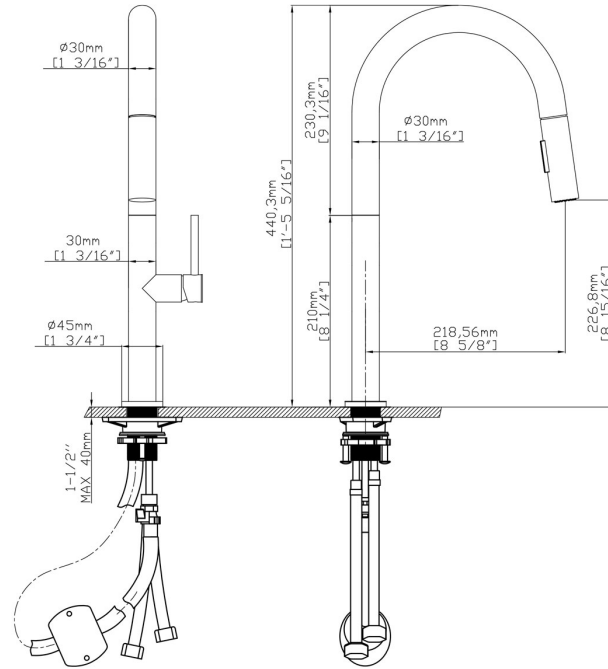


Vergara Kitchen Pull-out Faucet- Brushed Nickel-Chrome-Matte Black finish



Colour Finish

- Brushed Nickel
- Chrome
- Matte Black

Model No.

Vergara

Description

- Stainless Steel construction
- Flexible supply lines
- Includes Red/Blue indicators

FLOW

- Water usage is limited to these maximum flow rates as indicated by the corresponding product markings
- North America: 1.8 gpm max (6.8L/min) at 60psi
- California: 1.8 gpm max (6.8L/min) at 60psi

CARTRIDGE

- Ceramic disk cartridge

STANDARDS

- Certified to CUPC
- Certified to AB1953
- Certified to NSF/ ANSI 61
- ADA for lever handle"

Available accessories

- Soap Dispenser Stainless Steel
- Soap Dispenser Matte Black

MAIN LOCATION

BRISTOL SINKS
56 Firestone Blvd
London, Ontario
N5W 6E6

WESTERN LOCATION

BRISTOL SINKS
964 72nd Avenue NE
Calgary, Alberta
T2E 8V9

CONTACT

Tel: 1 (800) 930-0214
Fax: 1 (866) 310-7580
Email: sales@bristolsinks.com